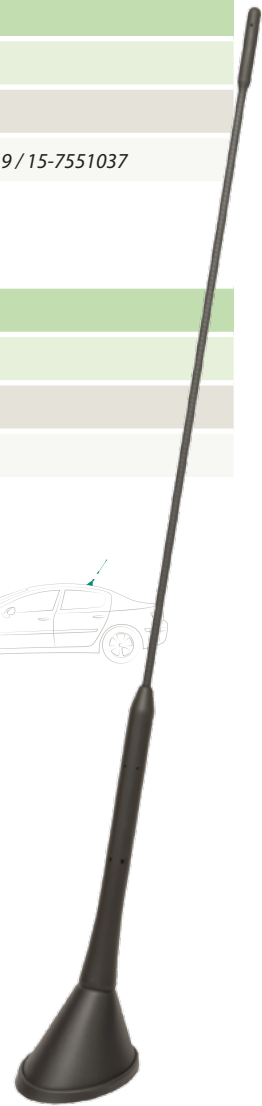
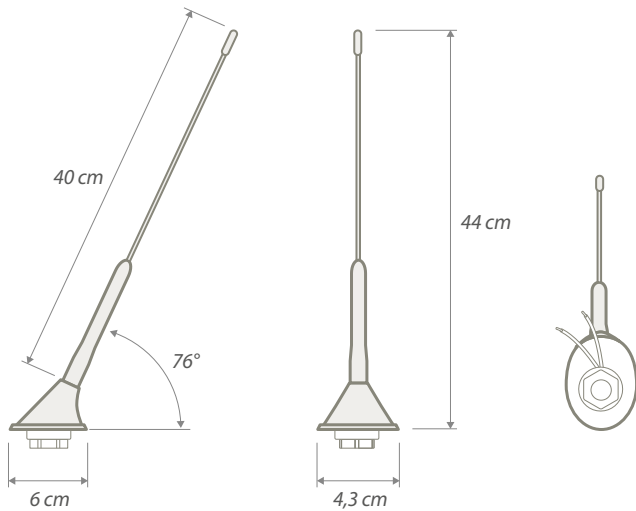


15-7677906	<b>16V ANTENNA</b>			Rear roof antenna
	Universal 76° - Passive			
<b>Connector</b>	DIN M	<b>Ext. cable</b>	L = 5,6 mt    Z = 75 Ω    C = 67 pF/m	
<b>Frequency</b>	AM = 0,15 ÷ 1,71 MHz    FM = 87,5 ÷ 108 MHz	<b>Spare rod</b>	15-7551019 / 15-7551037	
<b>Mounting</b>	Coachwork drilling	OE: square 15x15 mm, r: 2 mm	AFT: hole Ø 19 mm	

15-7677900	<b>16V ANTENNA</b>			Rear roof antenna
	Universal 76° - Amplified			
<b>Connector</b>	ISOM	<b>Ext. cable</b>	L = 5,6 mt    Z = 75 Ω    C = 67 pF/m	
<b>Power Supply</b>	AM/FM = 12V	<b>Frequency</b>	AM = 0,15 ÷ 1,71 MHz    FM = 87,5 ÷ 108 MHz	
<b>Consumption</b>	AM/FM = 60 mA max	<b>Spare rod</b>	15-7551019 / 15-7551037	
<b>Mounting</b>	Coachwork drilling	OE: square 15x15 mm, r: 2 mm	AFT: hole Ø 19 mm	



15-7677908	<b>16V ANTENNA</b>			Rear roof antenna
	Universal 45° - Passive			
<b>Connector</b>	DIN M	<b>Ext. cable</b>	L = 5,6 mt    Z = 75 Ω    C = 67 pF/m	
<b>Frequency</b>	AM = 0,15 ÷ 1,71 MHz    FM = 87,5 ÷ 108 MHz	<b>Spare rod</b>	15-7551019 / 15-7551037	
<b>Mounting</b>	Coachwork drilling	OE: square 15x15 mm, r: 2 mm	AFT: hole Ø 19 mm	

