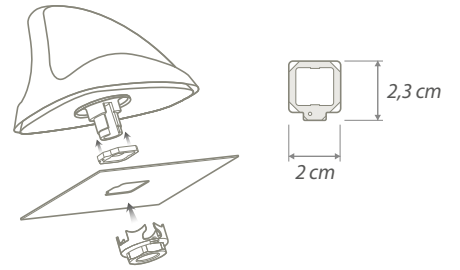
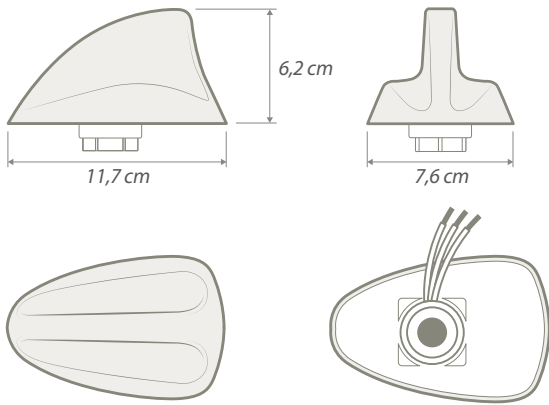


15-7727150	SHARK 2 RADIO CUSTOM FCA	Rear roof antenna
NEW	AM/FM	SPECIAL VERSION FOR FCA
Connector	FAKRA F	
Power Supply	AM/FM = 12V / 12V Phantom	
Frequency	AM = 0,15 ÷ 1,71 MHz FM = 87,5 ÷ 108 MHz	
Consumption	AM/FM = 60 mA max	
Mounting	Coachwork drilling FCA hole (square 20 X 20 mm)	



15-7727050	SHARK 2 RADIO	Rear roof antenna
	AM/FM	
Connector*	HC97 F (RAKU 2 F)	Power Supply AM/FM = 12V / 12V Phantom
Frequency	AM = 0,15 ÷ 1,71 MHz FM = 87,5 ÷ 108 MHz	Consumption AM/FM = 60 mA max
Mounting	Coachwork drilling OE: square 15x15 mm, r: 2 mm AFT: hole Ø 19 mm	

* See adapter cables on page 65 See hole adapters on page 76



15-7677800	SHARK RADIO	Rear roof antenna
	AM/FM	
Connector*	HC97 F (RAKU 2 F)	Power Supply AM/FM = 12V / 12V Phantom
Frequency	AM = 0,15 ÷ 1,71 MHz FM = 87,5 ÷ 108 MHz	Consumption AM/FM = 60 mA max
Mounting	Coachwork drilling OE: square 15x15 mm, r: 2 mm AFT: hole Ø 19 mm	

