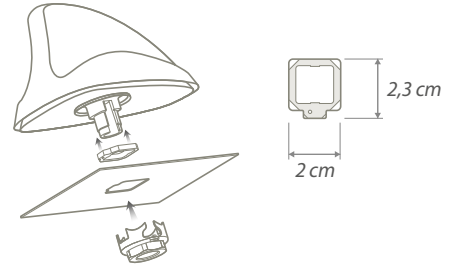
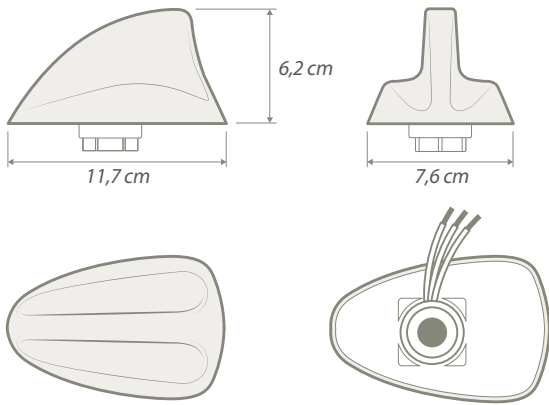


15-7727150	<b>SHARK 2 RADIO CUSTOM FCA</b>	Rear roof antenna
<b>NEW</b>	AM/FM	SPECIAL VERSION FOR FCA
<b>Connector</b>	FAKRA F	
<b>Power Supply</b>	AM/FM = 12V / 12V Phantom	
<b>Frequency</b>	AM = 0,15 ÷ 1,71 MHz    FM = 87,5 ÷ 108 MHz	
<b>Consumption</b>	AM/FM = 60 mA max	
<b>Mounting</b>	Coachwork drilling    FCA hole (square 20 X 20 mm)	



15-7727050	<b>SHARK 2 RADIO</b>	Rear roof antenna
	AM/FM	
<b>Connector*</b>	HC97 F (RAKU 2 F)	<b>Power Supply</b> AM/FM = 12V / 12V Phantom
<b>Frequency</b>	AM = 0,15 ÷ 1,71 MHz    FM = 87,5 ÷ 108 MHz	<b>Consumption</b> AM/FM = 60 mA max
<b>Mounting</b>	Coachwork drilling    OE: square 15x15 mm, r: 2 mm    AFT: hole Ø 19 mm	

\* See adapter cables on page 65    See hole adapters on page 76



15-7677800	<b>SHARK RADIO</b>	Rear roof antenna
	AM/FM	
<b>Connector*</b>	HC97 F (RAKU 2 F)	<b>Power Supply</b> AM/FM = 12V / 12V Phantom
<b>Frequency</b>	AM = 0,15 ÷ 1,71 MHz    FM = 87,5 ÷ 108 MHz	<b>Consumption</b> AM/FM = 60 mA max
<b>Mounting</b>	Coachwork drilling    OE: square 15x15 mm, r: 2 mm    AFT: hole Ø 19 mm	

