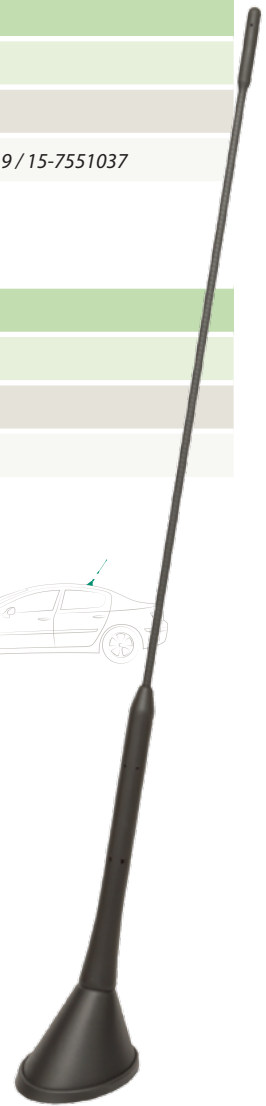
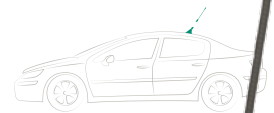
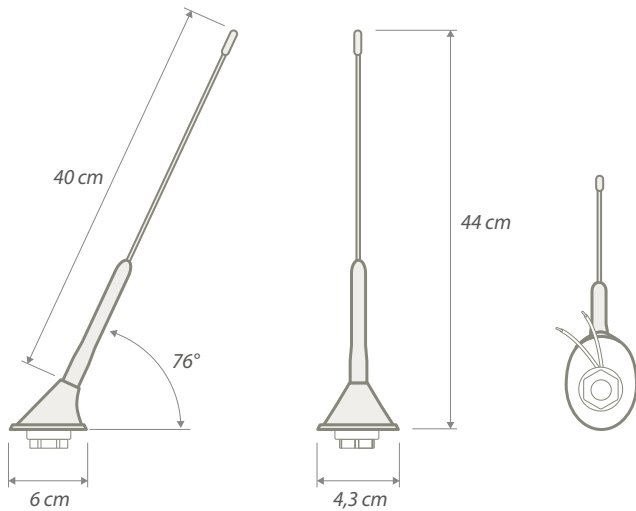


15-7677906	16V ANTENNA			Rear roof antenna
	Universal 76° - Passive			
Connector	DIN M	Ext. cable	L = 5,6 mt Z = 75 Ω C = 67 pF/m	
Frequency	AM = 0,15 ÷ 1,71 MHz FM = 87,5 ÷ 108 MHz	Spare rod	15-7551019 / 15-7551037	
Mounting	Coachwork drilling	OE: square 15x15 mm, r: 2 mm	AFT: hole Ø 19 mm	

15-7677900	16V ANTENNA			Rear roof antenna
	Universal 76° - Amplified			
Connector	ISOM	Ext. cable	L = 5,6 mt Z = 75 Ω C = 67 pF/m	
Power Supply	AM/FM = 12V	Frequency	AM = 0,15 ÷ 1,71 MHz FM = 87,5 ÷ 108 MHz	
Consumption	AM/FM = 60 mA max	Spare rod	15-7551019 / 15-7551037	
Mounting	Coachwork drilling	OE: square 15x15 mm, r: 2 mm	AFT: hole Ø 19 mm	



15-7677908	16V ANTENNA			Rear roof antenna
	Universal 45° - Passive			
Connector	DIN M	Ext. cable	L = 5,6 mt Z = 75 Ω C = 67 pF/m	
Frequency	AM = 0,15 ÷ 1,71 MHz FM = 87,5 ÷ 108 MHz	Spare rod	15-7551019 / 15-7551037	
Mounting	Coachwork drilling	OE: square 15x15 mm, r: 2 mm	AFT: hole Ø 19 mm	

