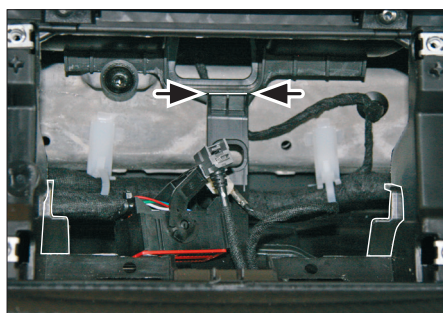


9. **281001-10-x for 1-DIN Radio:**
Mount 1-DIN head and pocket to new fascia plate (using mounting brackets)
- 241001-10-x with Inbay Pocket:**
(see additional information in the separate Inbay manual)

cut cap of pocket / inbay pocket about 4 mm



10. **Cut plastic in order to clear space for head unit**

(see marked area)

If necessary, also cut middle bar (see arrows)



11. **Connect all required circuit points**

Fix head unit with OEM screws (removed in step 6)



12. **Place center panel over radio (re-connect all plugs). Reinstall everything in reverse order to finish installation**



Double DIN Installation Manual

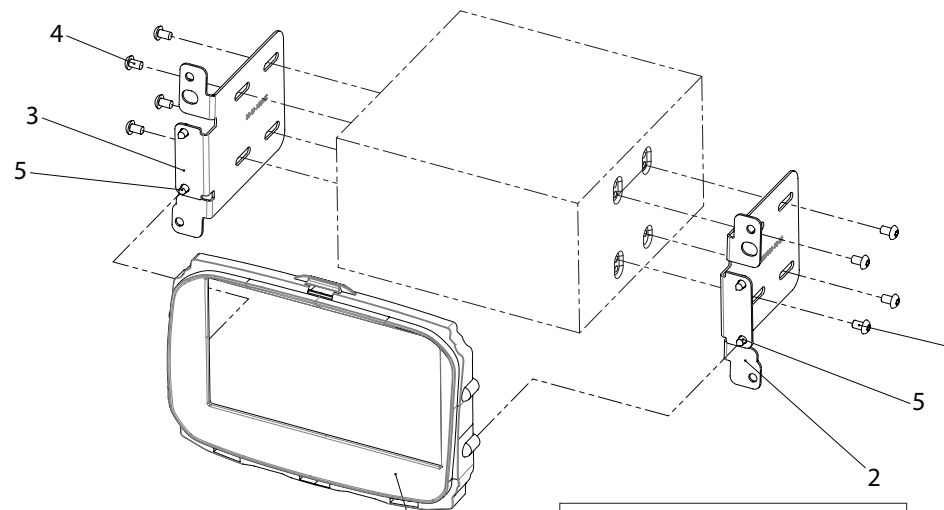
- Alfa Giulietta (940 Facelift) 10/2013 ->

	colour: black
2-DIN	381001-10-1
2-DIN with pocket	281001-10-1
2-DIN with Inbay® pocket	241001-10-1

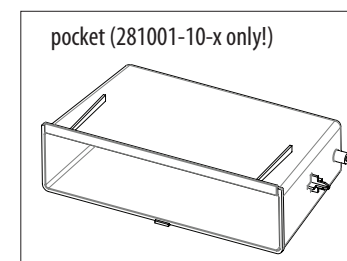
	colour: piano-black
2-DIN	381001-10-2
2-DIN with pocket	281001-10-2
2-DIN with Inbay® pocket	241001-10-2

Compatible with these double DIN devices

Double DIN Navigation



- (1) Facia Plate
- (2) Mounting bracket right
- (3) Mounting bracket left
- (4) flat headed screw
- (5) self-tapping convex fillister head screw
- (6) pocket (281001-10-x only!)





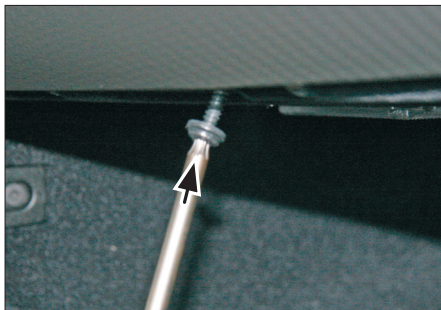
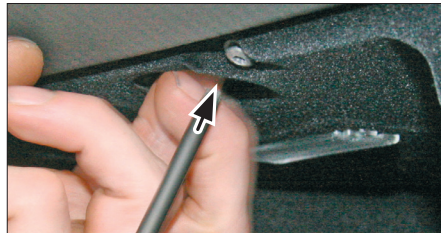
1. Alfa Romeo Giulietta
OEM head unit (sample photo)



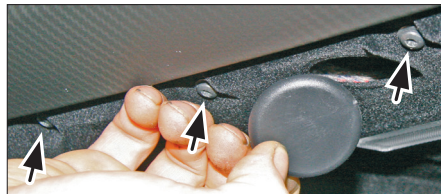
2. Open glove box.
Unclip and remove cover under
dash board (see arrow)



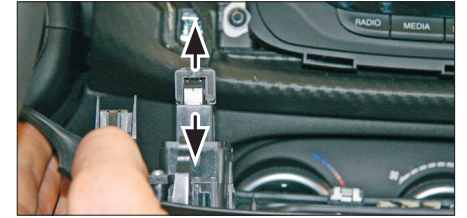
3. Remove screw (see arrow)



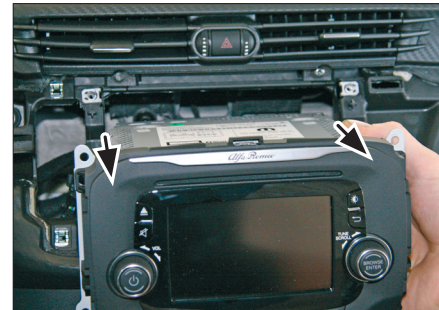
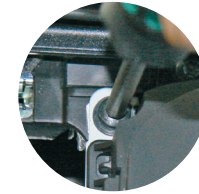
4. Remove all visible screws
under the top of the glove box



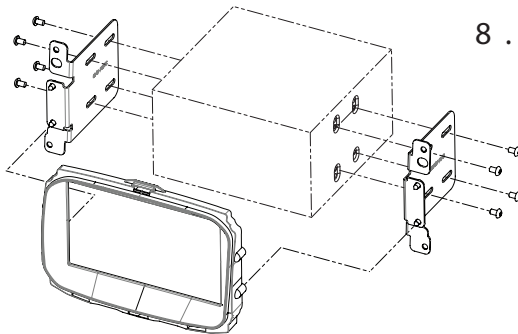
5. Unclip and remove center panel
(remove plugs carefully!)



6. Remove 4 screws of head unit
(see arrows)



7. Remove OEM head unit
(unplug cables carefully!)



8. **381001-10-x** for **2-DIN Radio**

Mount 2-DIN head to new fascia
plate (using mounting brackets)