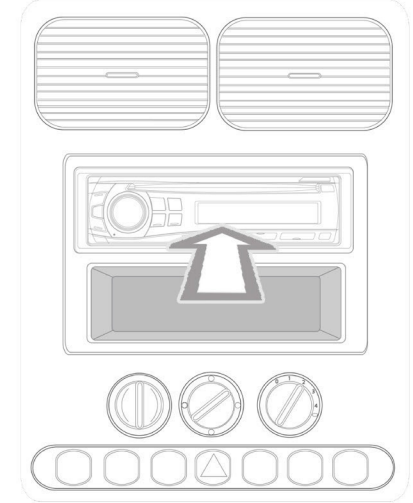
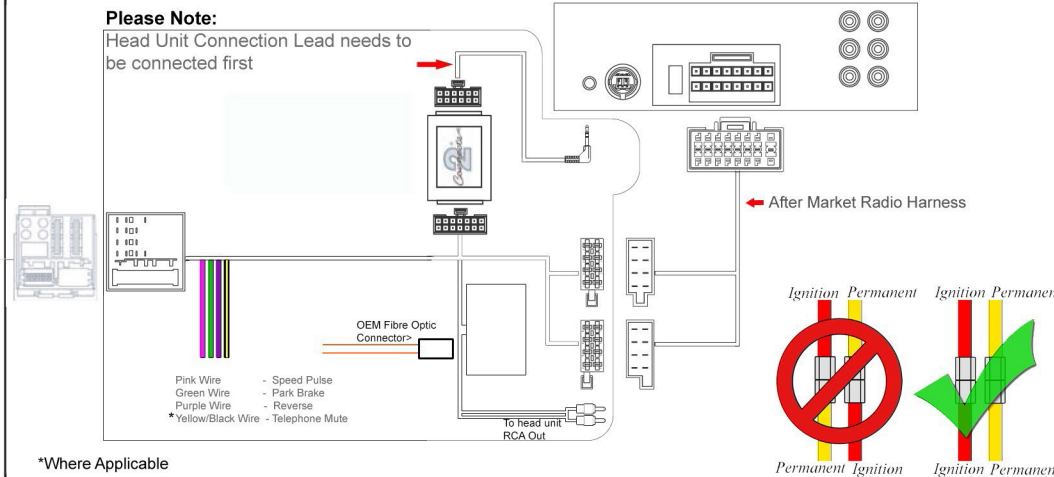
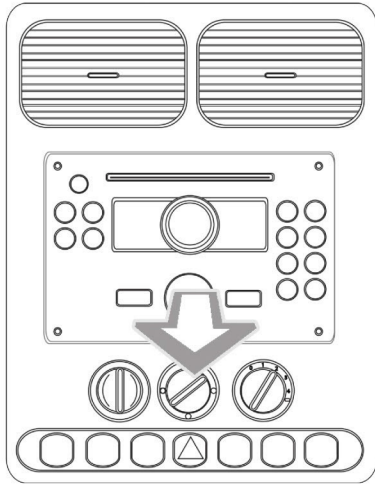


# Installation Guide

Part No: CTSMC008.2 Mercedes Can-Bus Steering Wheel Control Interface



## Vehicle Compatibility:

- ML (W164) 2005 - 2011
- GL (X164) 2006 - 2010

## Steering Wheel Control Functions



**Note for Installing a Sony head unit**  
Disconnect the interface from the vehicle. Open the interface box and ensure dipswitch 4 on the PCB is set to off.

Please note that the round plastic insert on the fibre amp retention interface should be removed prior to installation. This is for transit protection only.



Seek/Track+



Source

Seek/Track-

Volume -



Hang Up

Volume +

Pick Up

\* Note All Dates are guide lines only as specifications of vehicles change